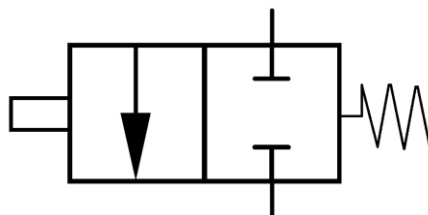




FUEL TANK DRAIN VALVE LUN 7468.81

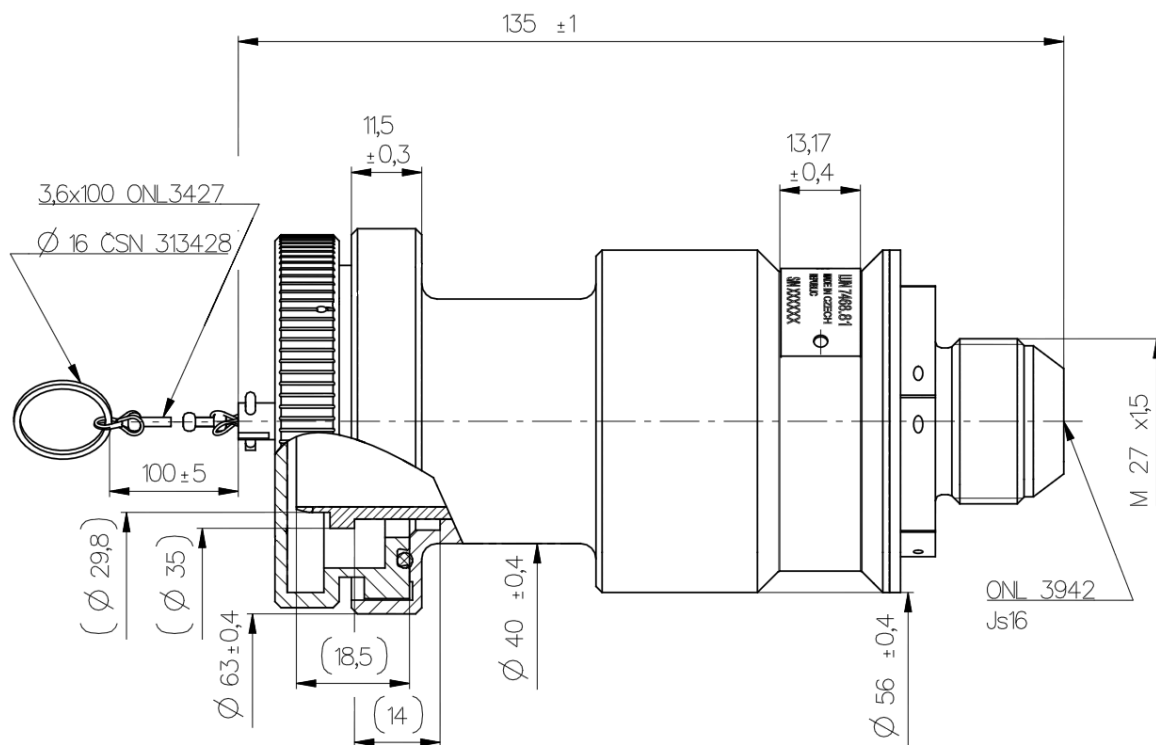
The fuel tank drain valve drains fuel from the A/C tanks after the hose of the ground fuel equipment is connected. The valve is 2/2 way, two position spring biased valve of poppet design.



SPECIFICATION LUN 7468.81

Weight:	max. 0,31 kg
Temperature range:	operating -55 °C to +70 °C non-operating -55 °C to +85 °C
Fluid temperature:	-55 °C to +60 °C
Operating height range:	from 0 to 10 000 m
Max. operation pressure:	0,3 MPa
Fluid:	kerosene based fuels

DIMENSIONS



Data stated in this datasheet are for information purposes only, and are not subject to change. Specific installation dimensions can be agreed with customer for given installation.