



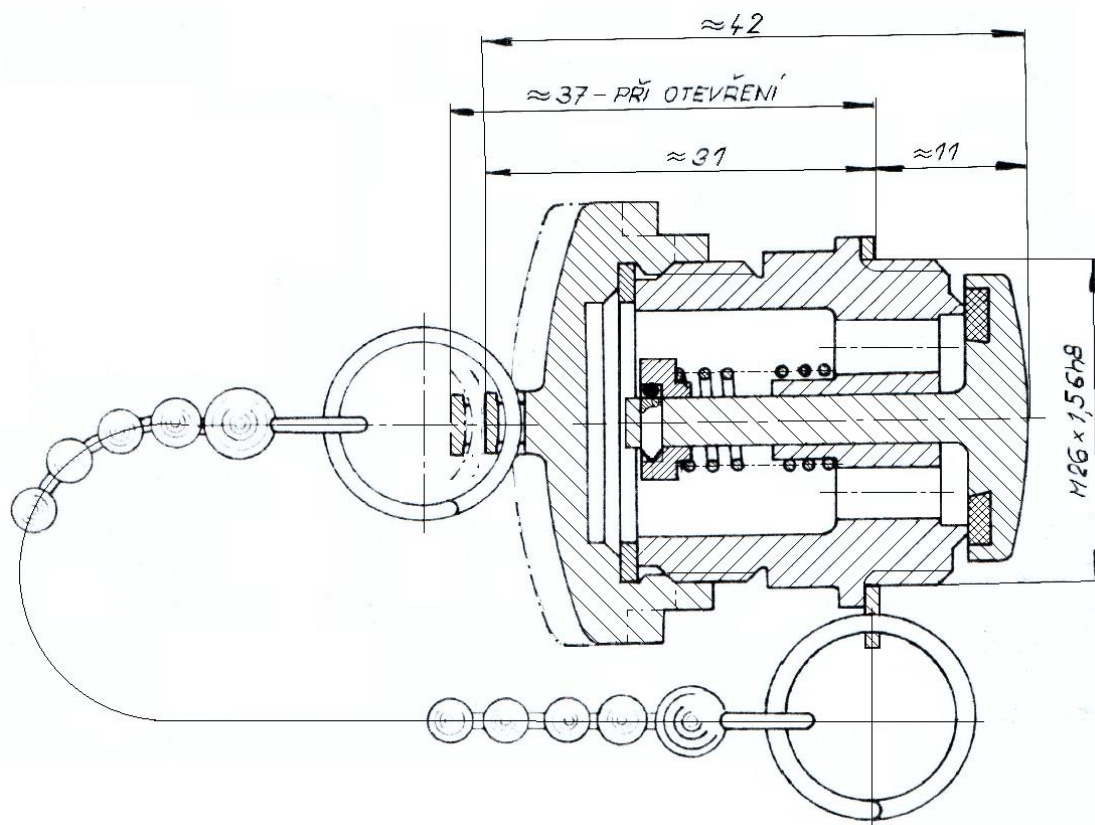
DRAIN VALVE LUN 7350-8

The drain valve is used to drain the fuel from tanks of the aircraft.

SPECIFICATION LUN 7350-8

Weight:	max. 0,080 kg
Temperature range:	operating -55 °C to +70 °C non-operating -55 °C to +85 °C
Fluid:	aeronautical kerosene
Operating pressure:	0,30 MPa
Max. pressure	0,50 MPa

DIMENSIONS



Data stated in this datasheet are for information purposes only, and are not subject to change. Specific installation dimensions can be agreed with customer for given installation.