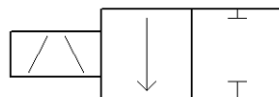




FUEL FIRE VALVE LUN 7464.81

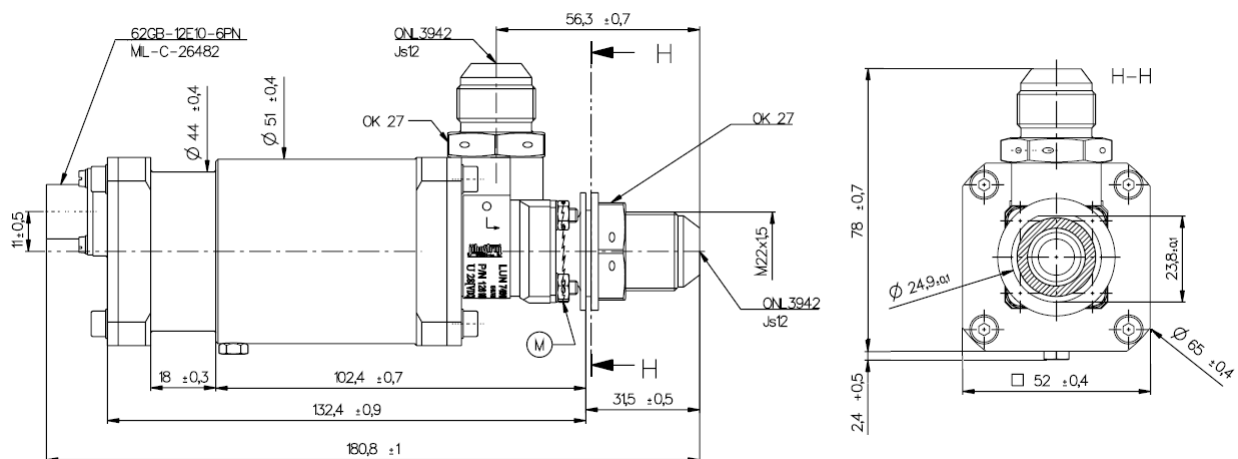
The fuel fire valve LUN 7464 is 2/2 way, two position direct operated electromagnetic valve of poppet design. This valve shuts off the fuel flow from A/C to the engine when commanded. The feature of this valve is that the valve doesn't consume electric energy at poppet terminal positions – either open or closed. The valve is equipped with position “on/off” indicator switch.



SPECIFICATION LUN 7464.81

Weight:	max. 0,92 kg
Temperature range:	operating -55 °C to +70 °C non-operating -55 °C to +85 °C
Fluid temperature:	-55 °C to +60 °C
Operating height range:	from 0 to 35 000 ft (10 700 m)
Fluid:	kerosene based fuels
Nominal voltage / current:	28 [V] / 2,0 [A]
Max. operating pressure:	0,15 MPa;
Pressure drop	max. 3kPa by flow 400 l/h

DIMENSIONS



Data stated in this datasheet are for information purposes only, and are not subject to change. Specific installation dimensions can be agreed with customer for given installation.



Budějovická 148, 382 32 Velešín, Czech Republic

phone: 0042 / 380 340 511

fax: 0042 / 380 340 612

http: www.jhostroj.com

E-mail: sales.ad@jhostroj.cz