



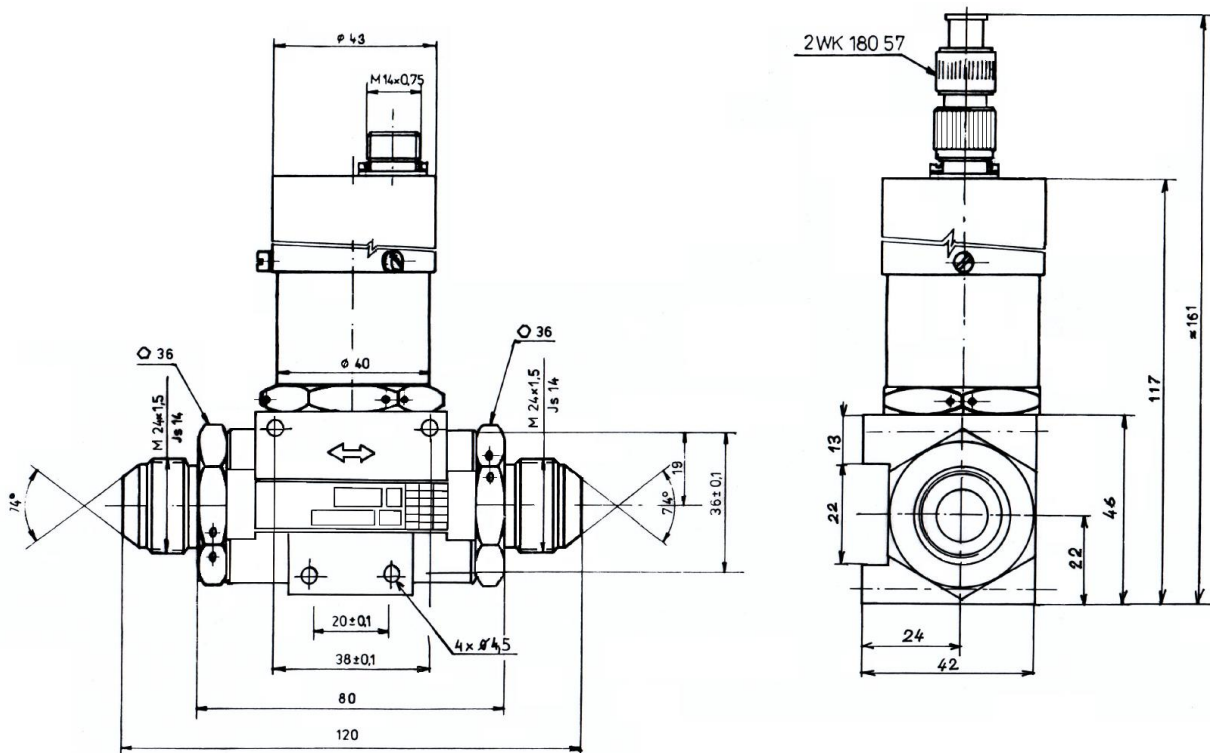
## **TWO-WAY VALVE LUN 7349.81- 8**

The two-way valve enables mutual interconnection or isolation of the fuel pipe lines that provide the engines with the fuel supply.

## SPECIFICATION LUN 7349.81-8

Weight:	max. 0,63 kg
Temperature range:	operating -55 °C to +70 °C non-operating -55 °C to +85 °C
Fluid temperature:	-55 °C to +60 °C
Operating height range:	from 0 to 15 000 m
Max. operating pressure:	0,18 MPa
Fluid:	aeronautical kerosene

## DIMENSIONS



Data stated in this datasheet are for information purposes only, and are not subject to change. Specific installation dimensions can be agreed with customer for given installation.