



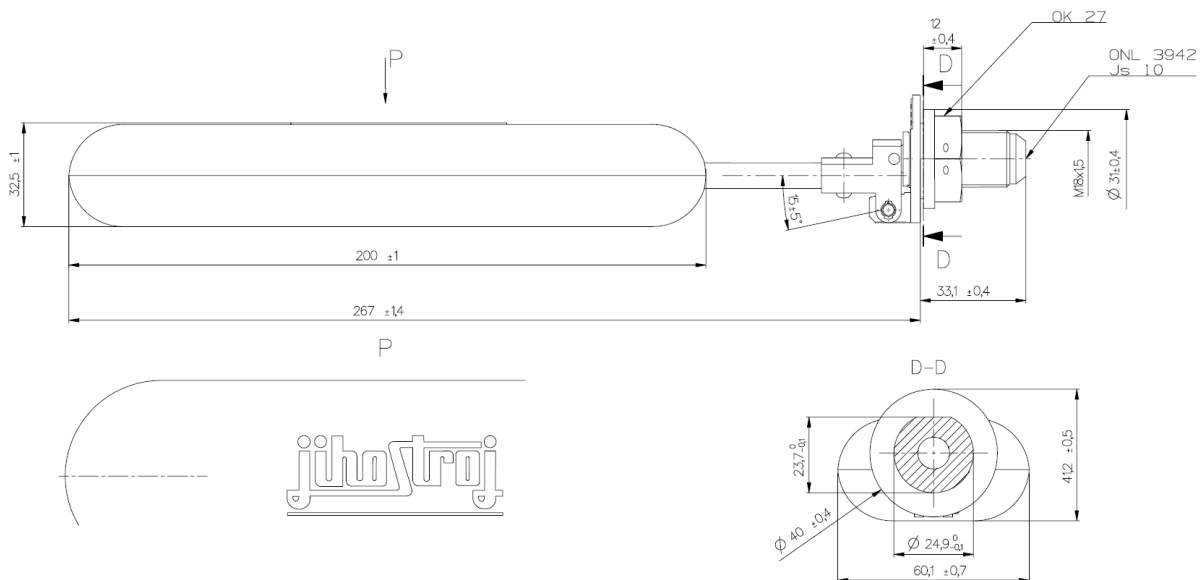
FUEL TANK AIR FLOAT VALVE LUN 7465.81

The fuel tank air float valve LUN 7465 closes de-aerating system of the integral fuel tank during A/C banks. The valve is 2/2 way check valve of poppet design operated with the float.

SPECIFICATION LUN 7465.81

Weight:	max. 0,125 kg
Temperature range:	operating -55 °C to +70 °C non-operating -55 °C to +85 °C
Fluid temperature:	-55 °C to +60 °C
Operating height range:	from 0 to 35 000 ft (10 700 m)
Fluid:	kerosene based fuels

DIMENSIONS



Data stated in this datasheet are for information purposes only, and are not subject to change. Specific installation dimensions can be agreed with customer for given installation.



Budějovická 148, 382 32 Velešín, Czech Republic
phone: 0042 / 380 340 511 **fax:** 0042 / 380 340 612
http: www.jihostroj.com **E-mail:** sales.ad@jihostroj.cz