



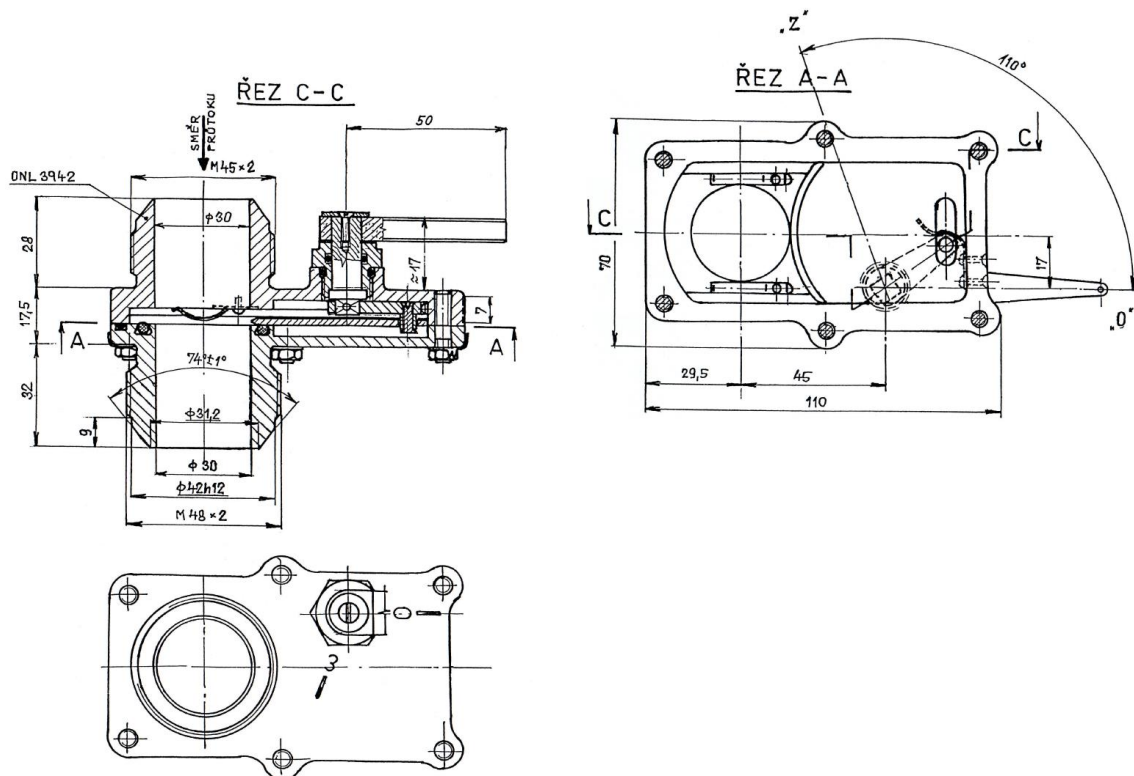
GATE VALVE LUN 7322.80-8

The gate valve shuts off the fuel supply to the piping leading from the fuel tanks and enables the repair of fuel system components without discharging the fuel from the tanks.

SPECIFICATION LUN 7322.80-8

Weight:	max. 0,42 kg
Temperature range:	operating -55 °C to +70 °C non-operating -55 °C to +85 °C
Fluid temperature:	-55 °C to +60 °C
Operating height range:	from 0 to 10 000 m
Max. operating pressure:	0,10 MPa
Fluid:	aeronautical kerosene

DIMENSIONS



Data stated in this datasheet are for information purposes only, and are not subject to change. Specific installation dimensions can be agreed with customer for given installation.