



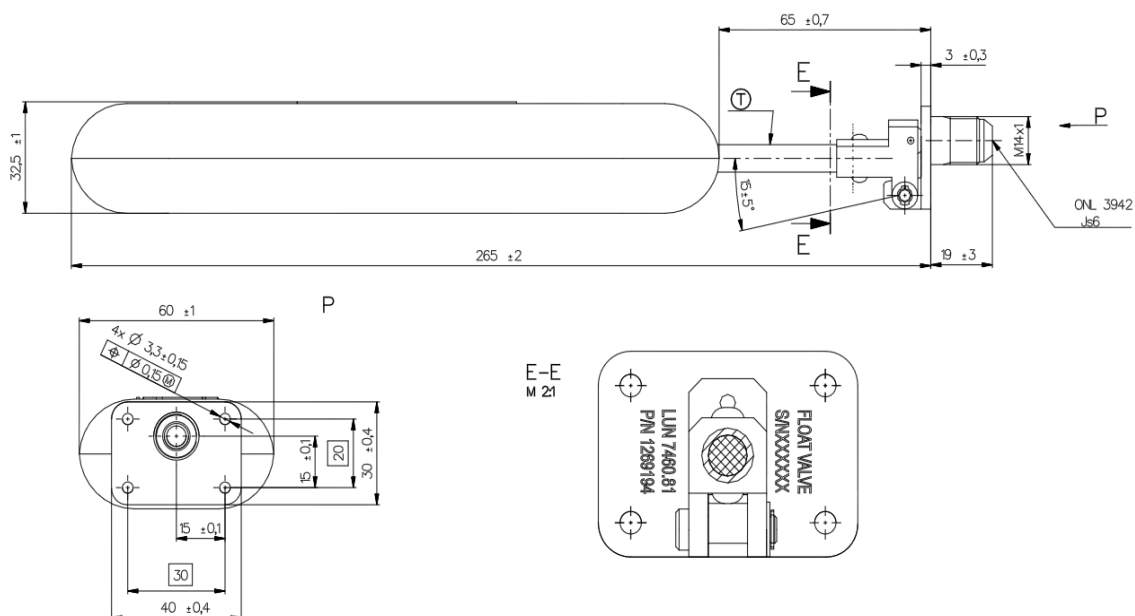
## **FLOAT VALVE LUN 7460.81**

The product is designed to protect the fuel tank. When the maximum amount of fuel is filled-up into the tank, the float valve closes the drain pipe and sends hydraulic signal which closes the differential valve LUN 7461.81 and LUN 7446.81-8.

## SPECIFICATION LUN 7460.81

|                         |  |
|-------------------------|--|
| Weight:                 | max. 0,093 kg  |
| Temperature range:      | operating -55 °C to +70 °C<br>non-operating -55 °C to +85 °C |
| Fluid temperature:      | -55 °C to +60 °C   |
| Operating height range: | from 0 to 35 000 ft (10 700 m)                               |
| Fluid:                  | aeronautical kerosene  |

## DIMENSIONS



Data stated in this datasheet are for information purposes only, and are not subject to change. Specific installation dimensions can be agreed with customer for given installation.